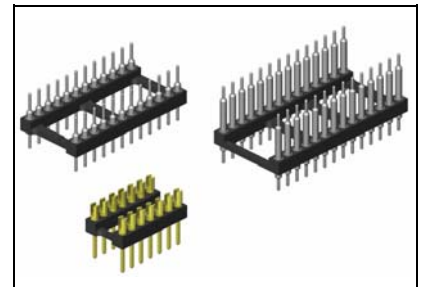


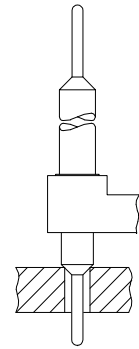


Board to Board Terminals

<p>077</p>	<p>057</p>	<p>037</p>
<p>058</p>	<p>059</p>	<p>056</p>
<p>542</p>	<p>038</p>	<p>353</p>
<p>036</p>	<p>Many other terminals and custom specific terminal styles are available on request, or refer to the pages 46 to 48 of this catalogue.</p>	

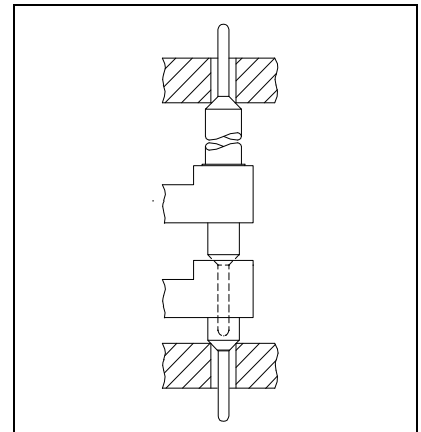


Application Examples



Possible Terminals:

037; 056; 057; 058; 059; 077
220; 221; 542; 543; 544; 562
770



Possible Terminals:

037; 056; 057; 058; 059
077; 542; 544; 562; 770

Specifications

See page 49 of this catalogue

How to order

XXX - xxx - Sxxx - xx

<p>Series POS PCL see page 14</p>	<p>DIP spacing in inch refer to table, dimension "B" on page 14 insert the corresponding data of the POS, POO or PCL column</p>	<p>Nbr of contacts refer to table on page 14</p>	<p>Terminal style see drawings above or refer to pages 46 to 48 of this catalogue for other types.</p>	<p>Plating - 55 = gold - 99 = tin (tin leadfree)</p>
--	---	---	---	---